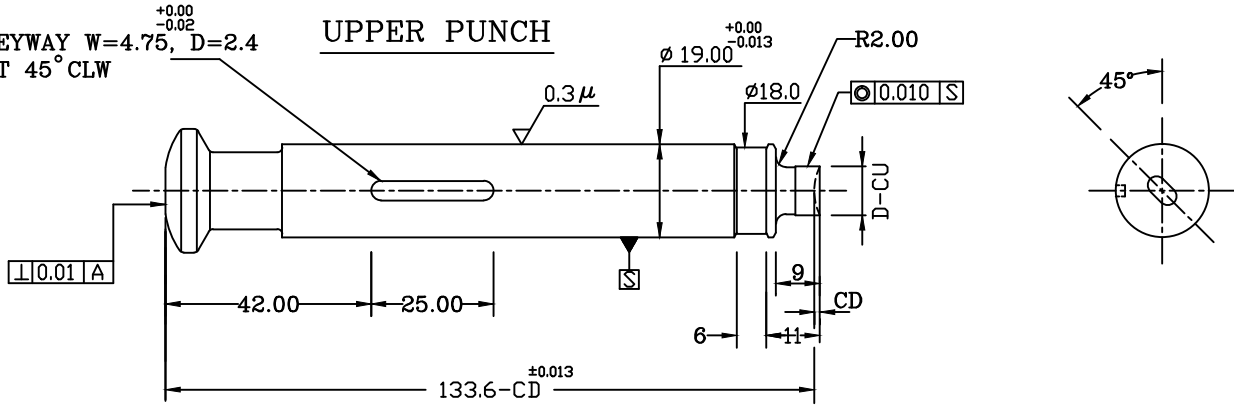
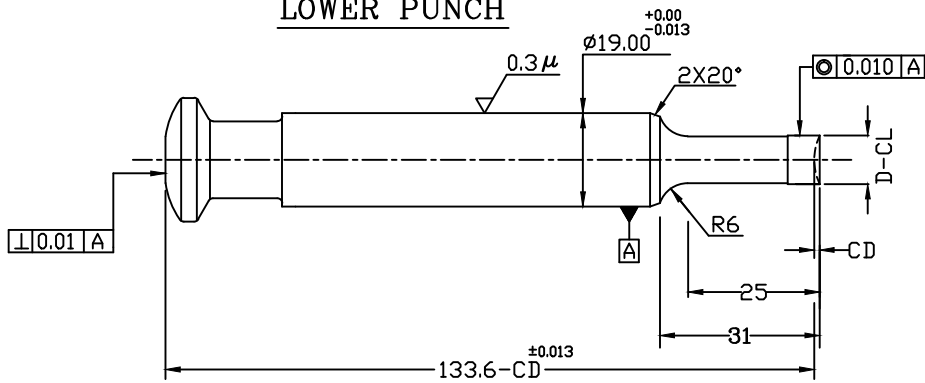


KEYWAY W=4.75, D=2.4
AT 45° CLW

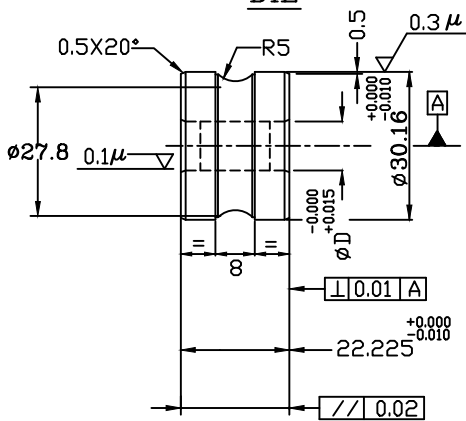
UPPER PUNCH



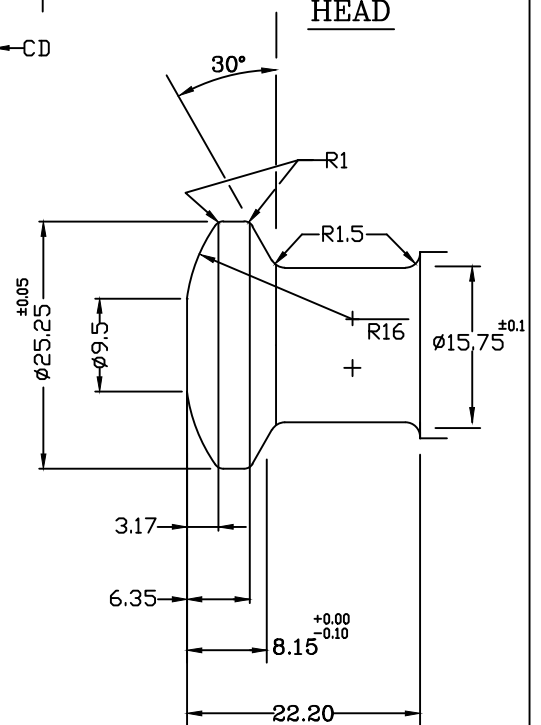
LOWER PUNCH



DIE



HEAD



NOTES:-

- (1) CU = CLEARANCE FOR UPPER PUNCH TIP. -0.04 TO -0.055
- (2) CL = CLEARANCE FOR LOWER PUNCH TIP. -0.02 TO -0.035
- (3) D = DIE-BORE.
- (4) CD = CAVITY DEPTH.
- (5) UNLIMITED DIMENSIONS ±0.2
- (6) ALL DIMENSIONS ARE IN MM.

	NAME	DATE	TITLE :- STD. B TOOLING		
DESIGNED		06.04.2015	EURO "B"		
DRAWN	MANISHA				
CHECHED	N.B.S		SCALE	DRG NO.	PROJ:-
APPROVED					

Imperial Pharmachines Pvt. Ltd.

136, SHIVKRIPA INDUSTRIAL ESTATE,
L. B. S. Marg, Vikhroli (West),
Mumbai - 400 083.
Tel : 2578 1989 / 2577 0554
Fax : 91-22-2578 0000
E-Mail : sales1@pharmachine.in
Website : www.pharmachine.in